



XDC 3000 S

Product family description

Digital Xenon Cinema lamps – Bring movies to life Digital Xenon Cinema lamps are ideal for today's demanding 3D and 2D digital cinema presentations. These lamps produce the very high light output needed to maximize screen brightness and enhance the dramatic effect for the viewer. These digital lamps are individually customized per projector: there is a different, perfect-fitting lamp for each projector model to ensure optimized projector performance. These long-life digital lamps also provide constant color temperature characteristics, and meet all of the stringent arc-stability requirements for consistent customer satisfaction.

Product Features

- Higher light output than standard lamps
- Customized by projector model
- Pure xenon fill gas
- Proprietary electrode design

Product Benefits

- Increased brightness on the screen
- Optimum projector performance
- Constant color temperature
- High arc stability

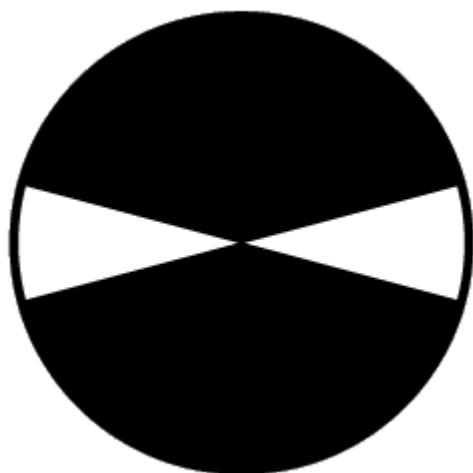
Product data	
Order code	301656 00
Full product name	XDC 3000 S
Packing type	Unpacked
Pieces per pack	1
Net weight per piece	0.625 KG
Successor order code	
Operating Position	p15
Main Application	Cinema
Additional Information	S
Packing Type	UNP [Unpacked]
Packing Configuration	1
Average Lifetime	1000 hr
Lamp Wattage	3000W

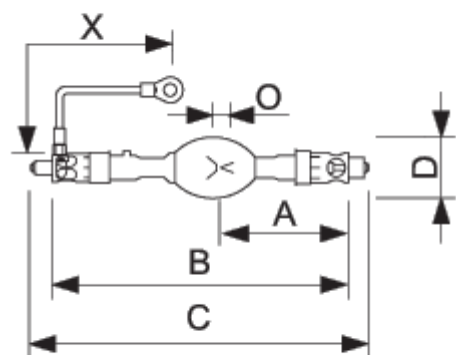
PHILIPS

Product data	
Technical Type	3000
Lamp Wattage Technical	3000 W
Lamp Voltage	28 V
Lamp Current	100 A
Luminous Flux Lamp	13500 Lm



XDC-3000S

XDC XDC 3000W S**Operating Position p15**



XDC-3000S

XDC XDC 3000 S

	A	B	C	D	E	O
Full product name	Nom	Max	Max	Nom	Nom	Nom
XDC 3000 S	128	295	336	60	-	4.1

	X
Full product name	Nom
XDC 3000 S	203



©2009 Koninklijke Philips Electronics N.V.

All rights reserved. Reproduction in whole or in part is prohibited without the prior written consent of the copyright owner. The information presented in this document does not form part of any quotation or contract, is believed to be accurate and reliable and may be changed without notice. No liability will be accepted by the publisher for any consequence of its use. Publication thereof does not convey nor imply any license under patent- or other industrial or intellectual property rights.

Document order number : 0000 000 00000